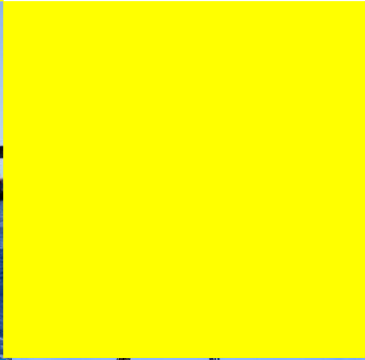




**UNIVERSITA' DEGLI STUDI DI PAVIA**  
**Dept. Civil Engineering and Architecture**

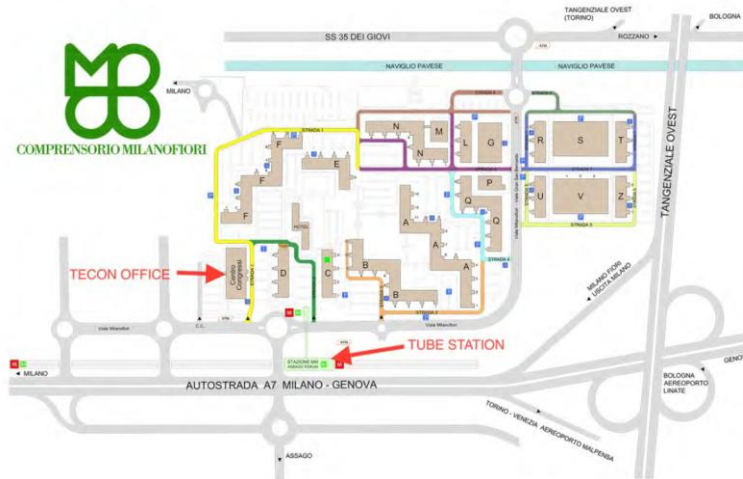


**TECON Srl**



Ing. BALESTRA Giulia  
Ing. DOTTORE Alexandro

29/05/2026



# TECON

ENGINEERING DESIGN CONSULTING SINCE 1982



**TECON s.r.l. headquarters in Milan:**

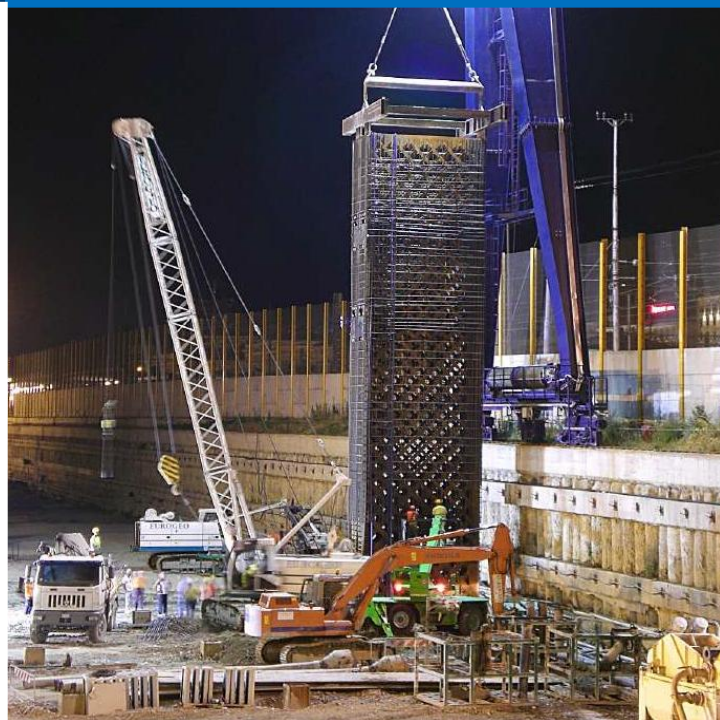
Milanofiori - Strada 1 - Palazzo Congressi

20057 ASSAGO (MI) - ITALY

Land-line phone: +39 02 92882 150

[www.teconsrl.it](http://www.teconsrl.it)

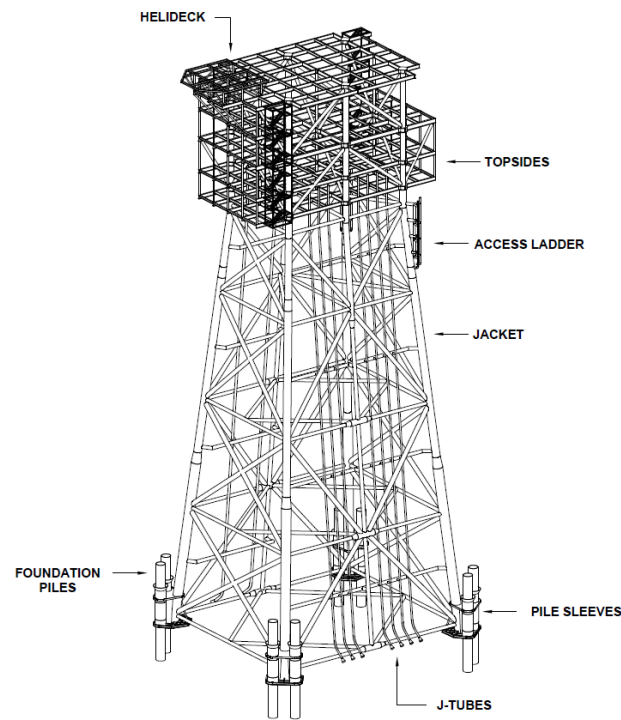




# EXPERTISE

**OFFSHORE PLATFORM  
STINGER ENGINEERING  
MARINE TERMINAL AND JETTIES  
FABRICATION AND INSTALLATION ENG.  
DESIGN OF SPECIAL EQUIPMENT  
METRO AND RAILWAYS STRUCTURAL  
ENG.  
WRECK REMOVAL ENGINEERING**

# OFFSHORE PLATFORM



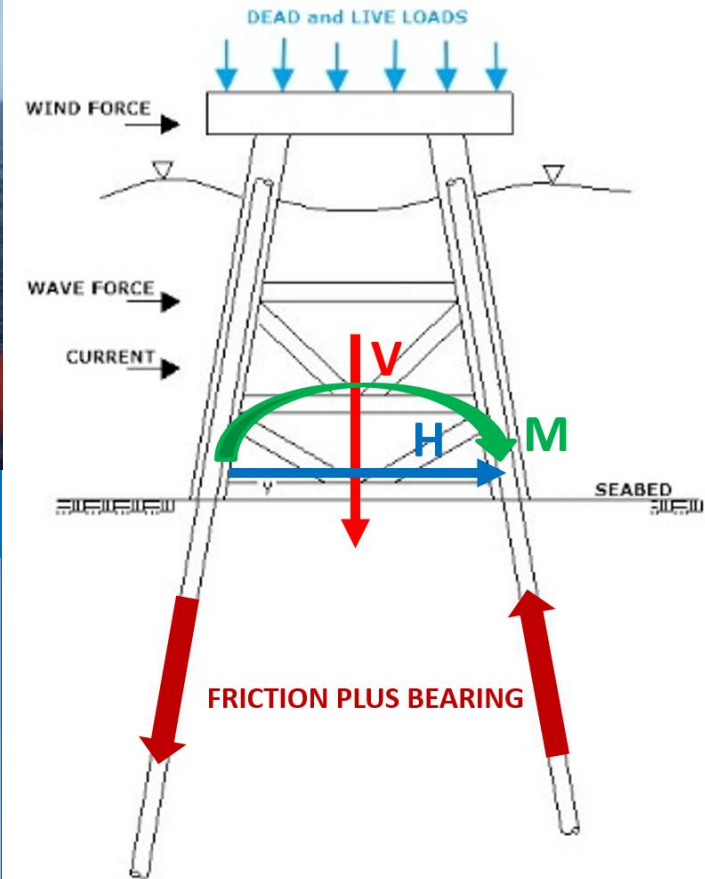
## DECK



## JACKET

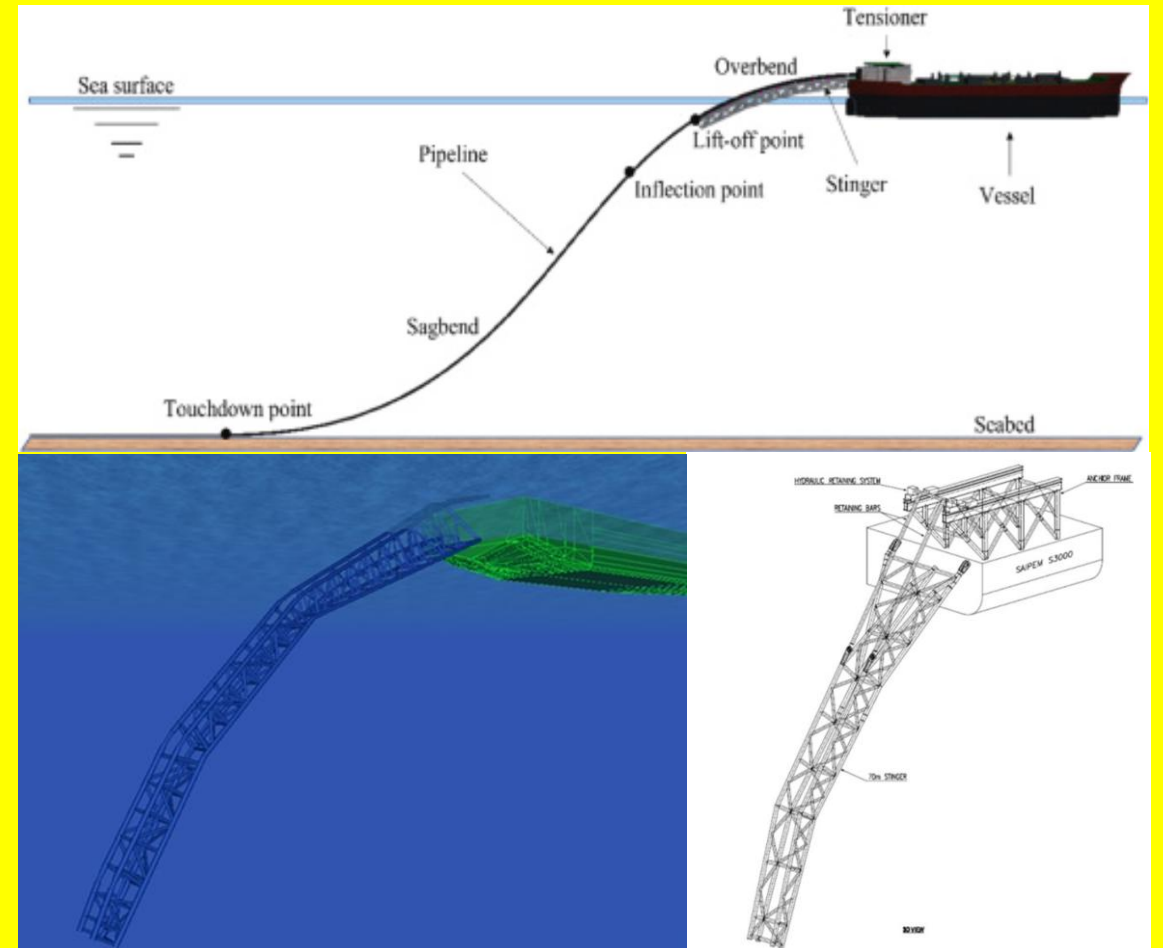


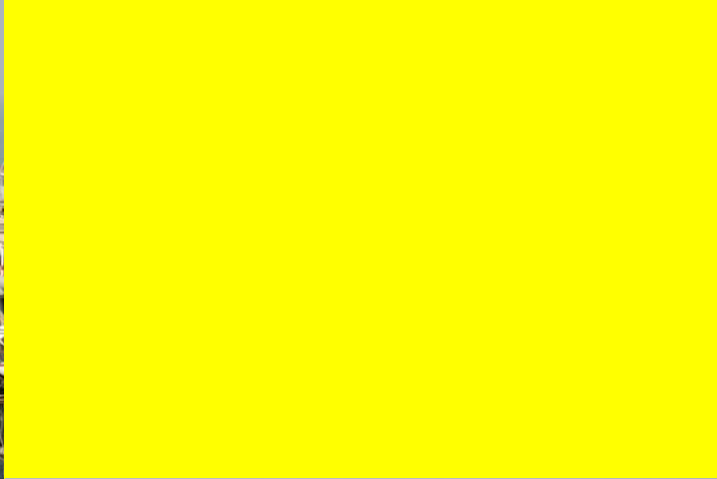
## PILES





# STINGER

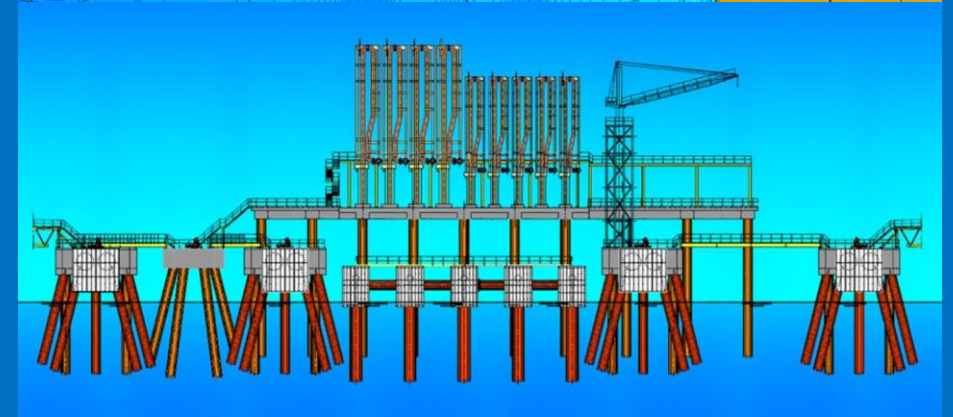
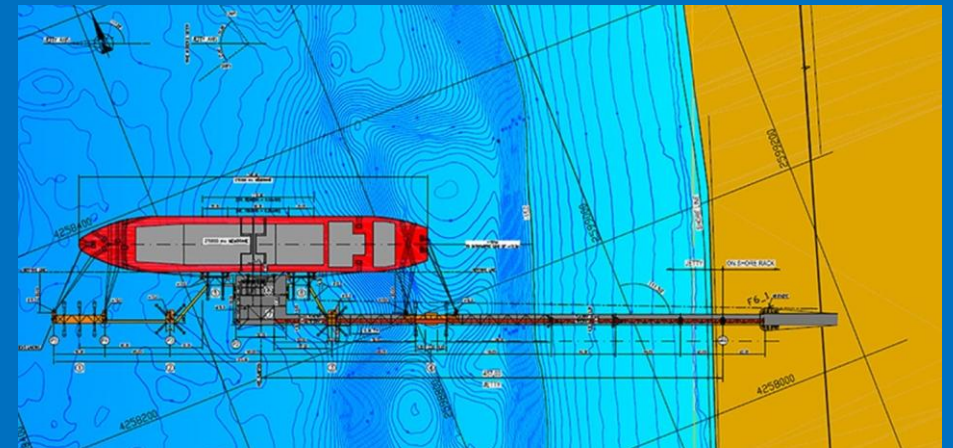




# MARINE TERMINAL



# JETTIES



# FABRICATION AND INSTALLATION ENGINEERING

## JACKET ROLL-UP

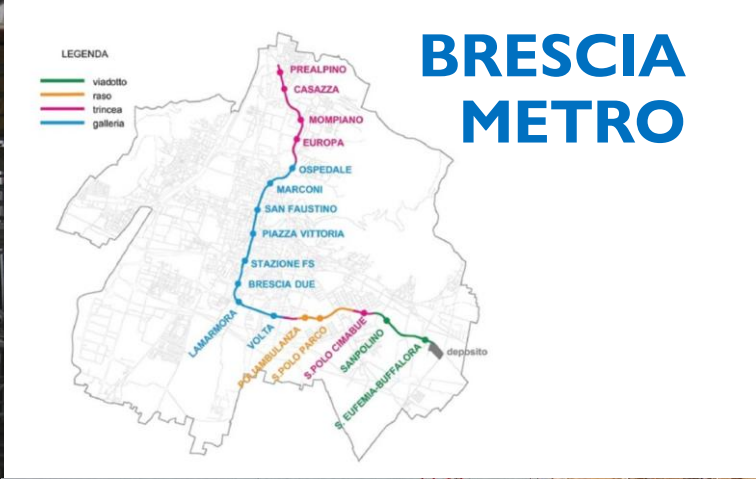
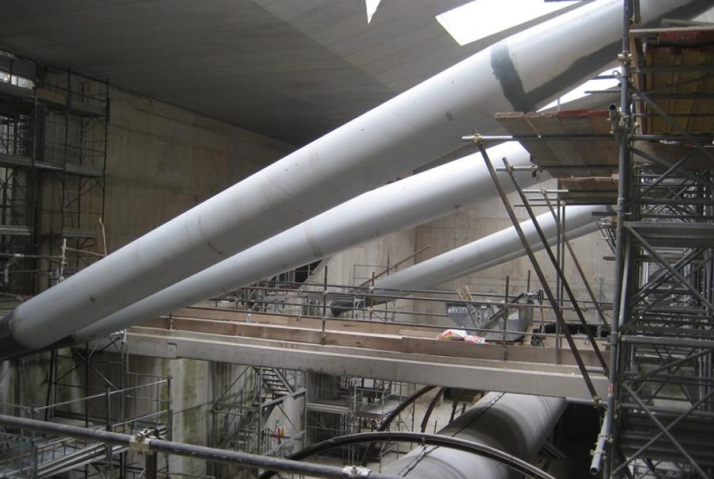


## LOADOUT

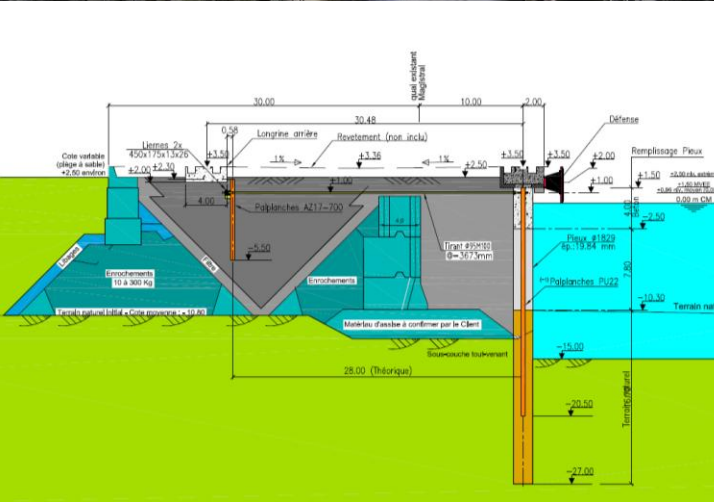


## INSTALLATION

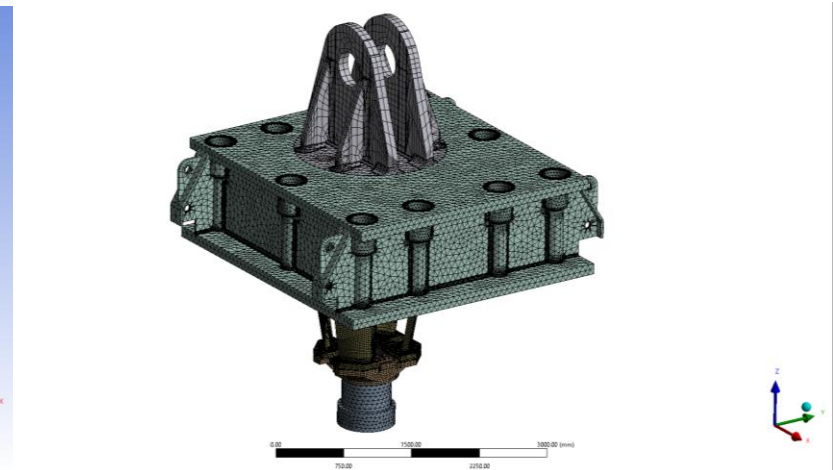
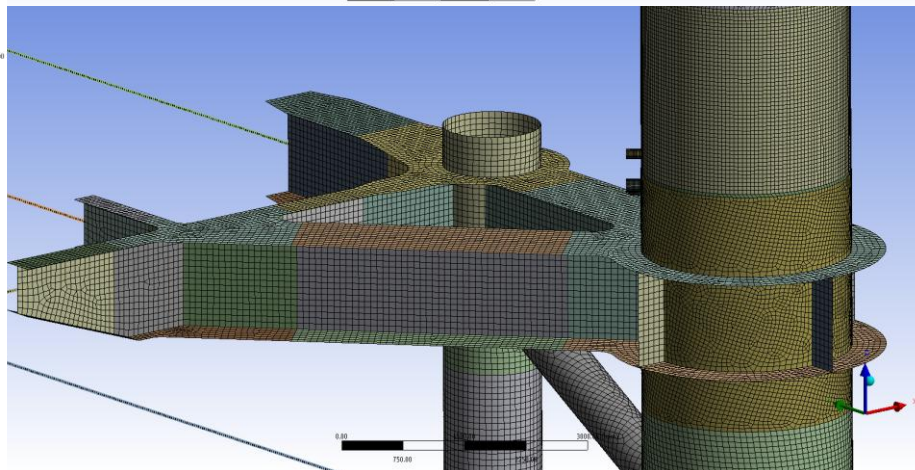
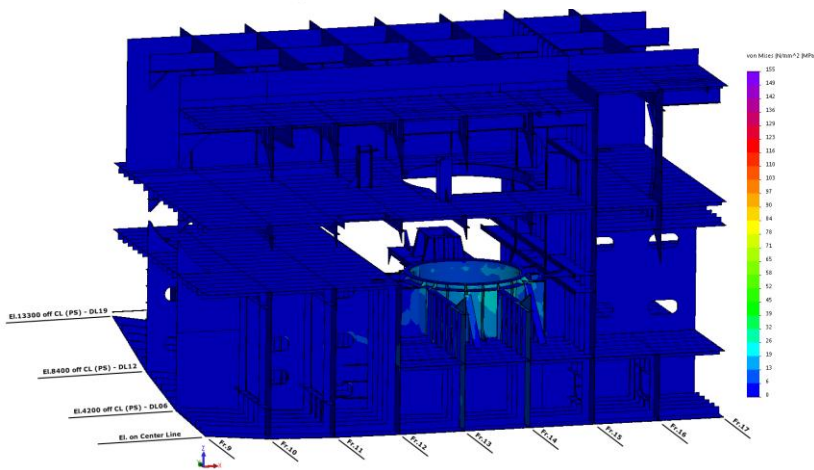
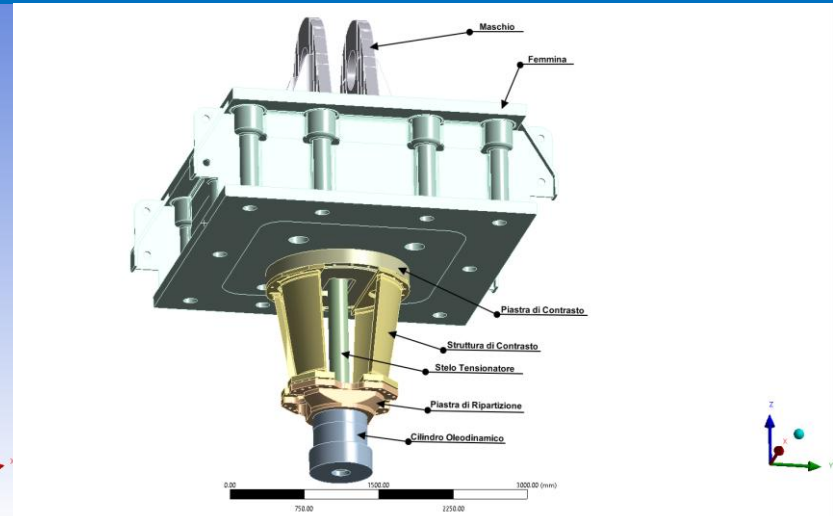
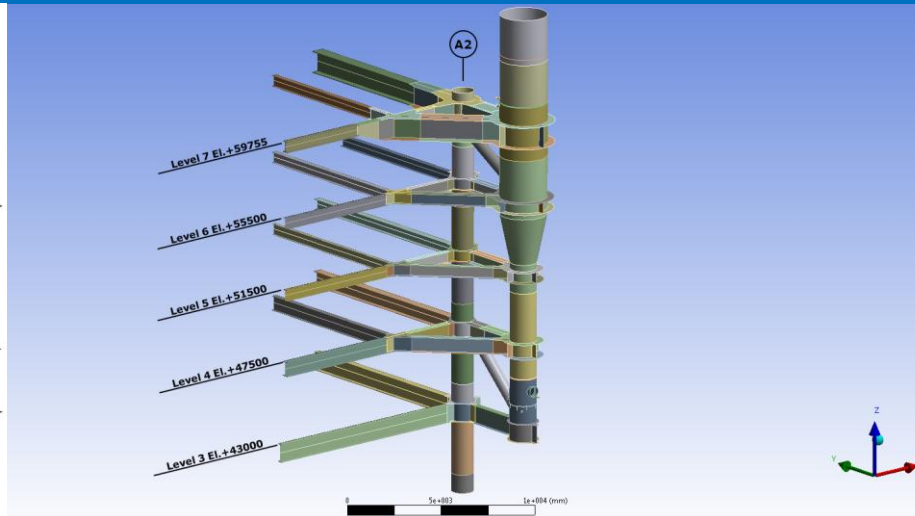
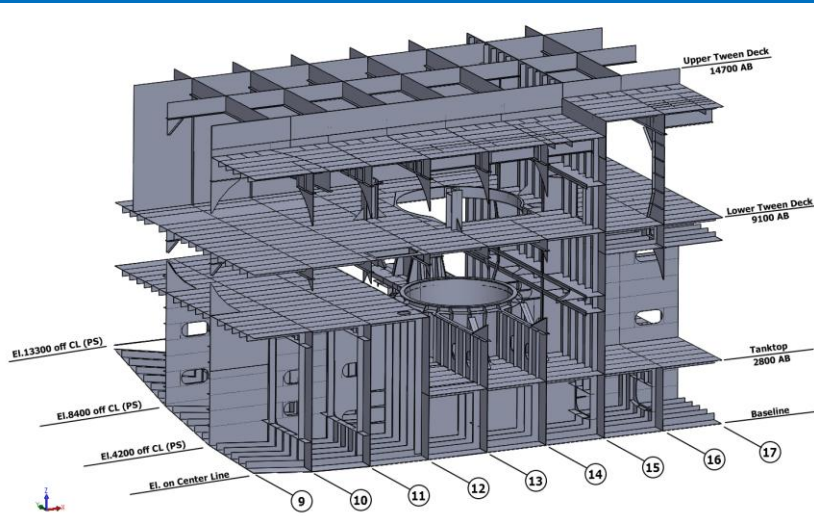


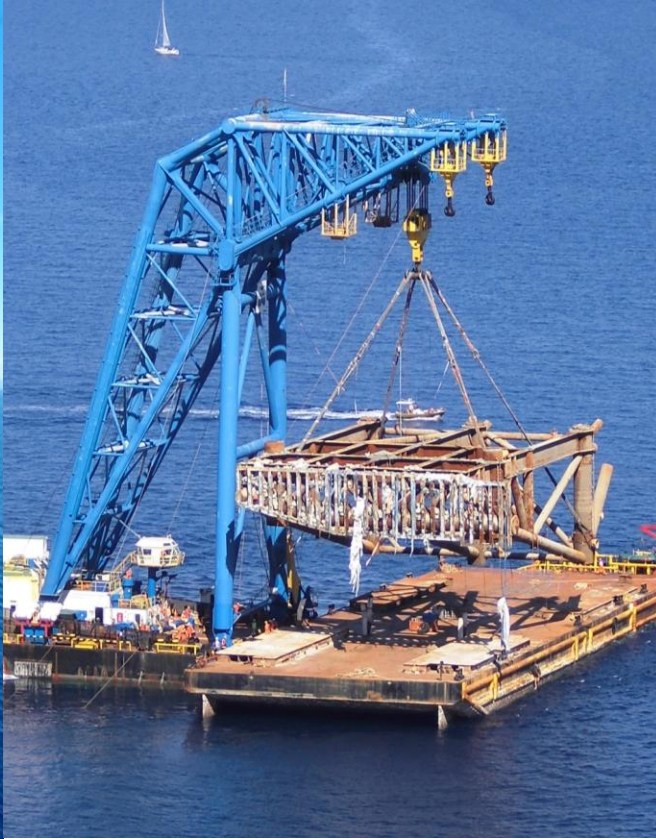


# CIVIL INFRASTRUCTURES



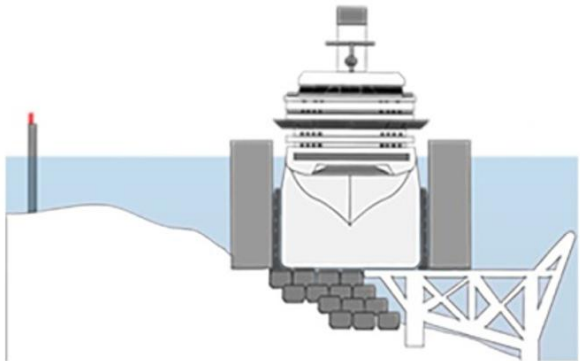
# SPECIAL EQUIPMENT



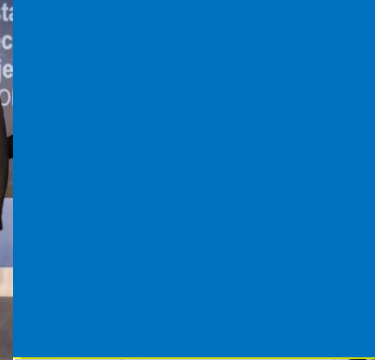
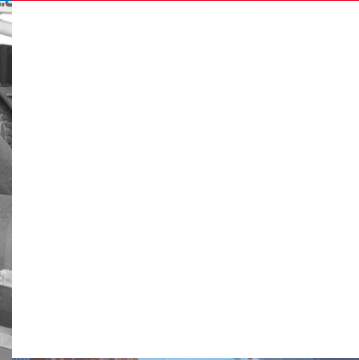


**SPECIAL  
CASE**

**COSTA  
CONCORDIA  
WRECK  
REMOVAL**



# Thank You



**TECON s.r.l. headquarters in Milan:**

Milanofiori - Strada 1 - Palazzo Congressi

20057 ASSAGO (MI) - ITALY

Land-line phone: +39 02 92882 150

